

Folding door fitting for 1 folding door with 2 panels
WingLine 770





Broad and strong

WingLine 770 is an elegant folding door fitting that makes light work even of large heavy doors.

With WingLine 770 they fold open and shut at a touch. The super soft and safe door action is especially appreciated in bedrooms.

- Suitable throughout living-rooms/bedrooms
- With runner profile on top panel
- Runner with load-bearing function
- Includes WingLine 26 bottom guide
- For wooden doors or wood framed doors
- Toolless quick-connect door assembly
- Cabinet design also suitable for hinged doors



Technical brief:

- Door weight max. 20 kg/door panel
- Door panel height 1000 - 2200 mm
- Door panel width 400 - 500 mm
- Side-mounting with Interimat 9943 fast-assembly concealed hinge. Sensys hinge 8645i can be used on doors of up to 22 mm thickness.

Folding door fitting WingLine 770 for 1 folding door with 2 panels

► System components

Runner profile

- Screw-on version
- Length 2000 mm
- Aluminium self-colour



| Order no. | PU |
|-----------|----|
| 1 079 089 | 4 |

Guide profile

- Pre-drilled
- Screw-on version
- Length 2000 mm
- Aluminium silver anodised



| Order no. | PU |
|-----------|----|
| 0 072 919 | 4 |

WingLine 770 set

| Mounting option | Order no. | PU |
|-----------------|-----------|-------|
| Left fitted | 0 070 968 | 1 set |
| Right fitted | 0 070 969 | 1 set |

Right/left-hand set contains:



- Runner for fast assembly**
- With 2 concealed hinges/spring
 - Nickel-plated steel/ grey plastic

| | |
|-----|---|
| pcs | 1 |
|-----|---|

- Cover cap for runner**
- Grey plastic

| | |
|-----|---|
| pcs | 1 |
|-----|---|



Guide

- For fast assembly
- With 3 guide rollers and 1 concealed hinge/spring
- Nickel-plated steel/ black plastic

| | |
|-----|---|
| pcs | 1 |
|-----|---|



Drilling template for centre hinge

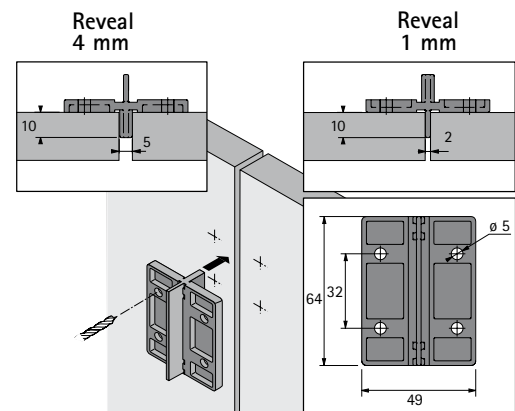
- For adjusting reveals from 1mm to 4 mm

| | |
|-----|---|
| pcs | 2 |
|-----|---|



- Folding door hinge**
- For fast assembly
 - Screw-on version
 - Nickel-plated steel/ grey plastic

| | |
|-----|---|
| pcs | 4 |
|-----|---|



Tungsten carbide drill bit \varnothing 35 mm for runner and guide

- Shaft 10 mm, cylindrical
- For upright and hand drills only



| Order no. | PU |
|-----------|----|
| 0 046 071 | 1 |

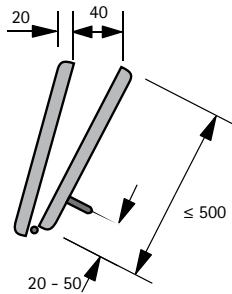
Intermat 9943 or Sensys 8645i hinges/mounting plates should be ordered separately

Folding door system

- ▶ WingLine 770 / loading capacity 20 kg
- ▶ Technical Information

WingLine 770

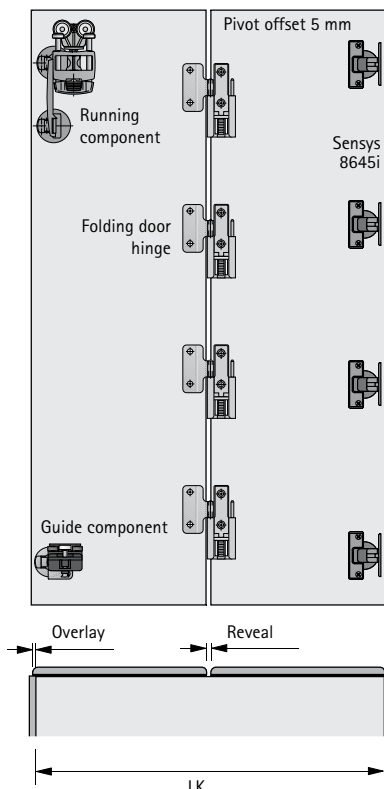
2-panel door set



2-panel folding door

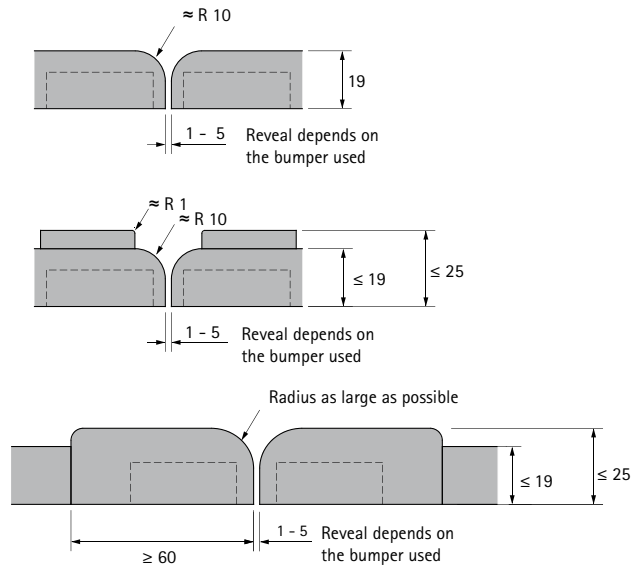
Panel width max. 1000 mm
 Door weight/panel max. 20 kg
 Door panel height max. 2200 mm

Folding door with 2 panels

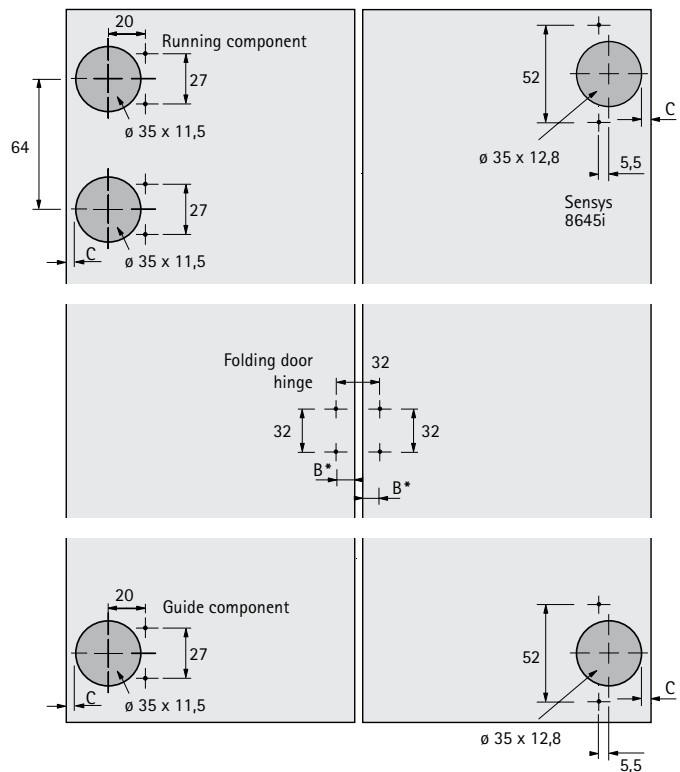


| * B Hole spacing mm | 13,5 | 14 | 14,5 | 15 | 15,5 |
|---------------------|------|----|------|----|------|
| Reveal mm | 5 | 4 | 3 | 2 | 1 |

Recommended door panel contours for reducing risk of crushing



Drilling pattern



Calculation of door width / door panels

Door width = inside cabinet width + (2 x overlay*)
 Door panel width = inside cabinet width - (1 x reveal) + (2 x overlay*) ÷ 2

* Overlay: max. 15 mm, C dimension 5 mm

Hinges / mounting plates should be ordered separately