

Top-running sliding door fitting with Silent System  
**TopLine 110**





## Adding design and function

The two-track, TopLine 110 top-running sliding door fitting for inset doors provides numerous ways of designing furniture with a mark of distinction and functional practicality. The feel of luxurious convenience is heightened by the new runner profile with integrated soft-closing Silent System. As a result, the mechanism closing sliding doors quietly and gently is completely hidden. Installation is also extremely fast and easy. Clipped to the runner profile without the need for tools, the doors can be easily adjusted in height by means of a thumbwheel on the runners.

- For 2 sliding doors (front-most door on right, rear-most door on left)
- Inset design
- Silent System soft-closing mechanism integrated in the runner profile
- For wooden doors or wood/aluminium framed doors
- Less noise
- No recoiling on closing the door
- Easy to fit and remove



### Technical brief:

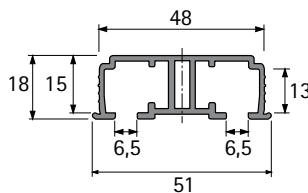
- Door weight max. 10 kg
- Door width 500 - 800 mm
- Door height 400 - 1600 mm
- Door thickness 18, 19 and 25 mm

# Top-running sliding door fitting with Silent System TopLine 110

## ► System components

### Runner profile

- 2-track
- Profile can be supplied to order in any length
- Aluminium silver anodised



Length mm	Order no.	PU
1000-1099	9 115 242	1
1100-1199	9 115 243	1
1200-1299	9 115 244	1
1300-1399	9 115 245	1
1400-1499	9 115 246	1
1500-1600	9 115 247	1

\* The runner profile is made to measure  
For this reason, the exact length must be stated in millimetres when ordering

Set TopLine 110 with Silent System for 1 cabinet with 2 sliding doors (front-most door on right, rear-most door on left)

Order no.	PU
9 117 336	1 set

### Set contains:

Silent system soft-closing unit  
• Grey plastic



pcs  
2

Adapter plates for doors in thicknesses of 18 and 19 mm  
• Grey plastic



pcs  
2

Runner with integrated height adjustment facility  
• Plastic, grey (2 pcs)  
black (1 pc)  
self-colour (1 pc)



pcs  
4

Bottom guide  
• For wooden doors  
• Plastic



pcs  
1 set

Adapter for wooden doors  
• Zinc-plated steel



pcs  
4

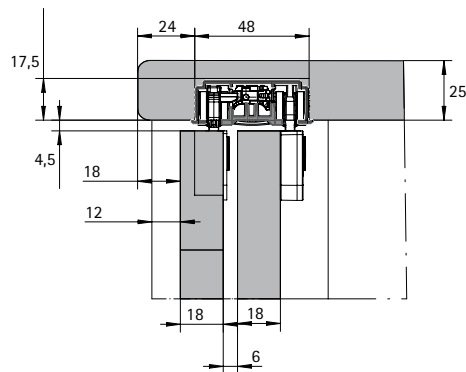
Bottom guide  
• For aluminium frame doors  
• Grey plastic



pcs  
2

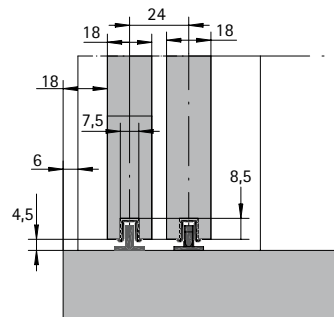
# Top-running sliding door fitting with Silent System TopLine 110

## ► Assembly for 18 mm doors



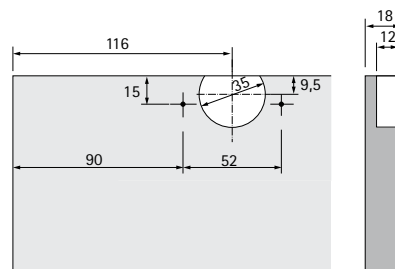
### Runner profile

Groove width 48,0 mm  
Groove depth 17,5 mm  
Top-panel thickness at least 22,0 mm  
Door thickness 18,0 mm



### Bottom guide

Groove width 7,5 mm  
Groove depth 8,5 mm

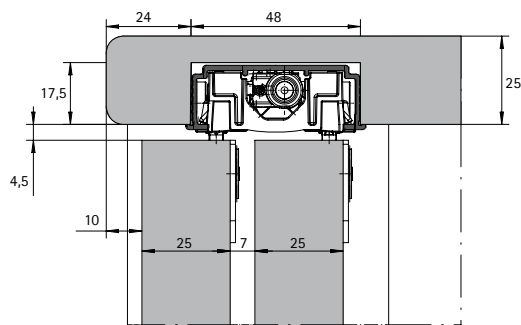


### Runners

Adapter is attached by means of  
- chipboard screw  
(countersunk) 3,5 x 16 or  
- direct fixing screw (countersunk)  
single-start 6,3 x 16

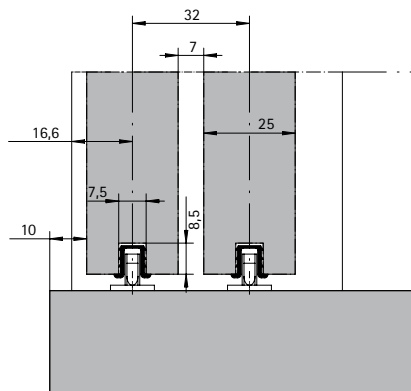
# Top-running sliding door fitting with Silent System TopLine 110

## ► Assembly for 25 mm doors



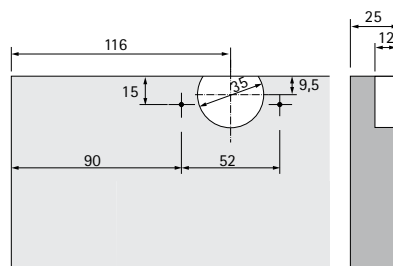
### Runner profile

Groove width 48,0 mm  
Groove depth 17,5 mm  
Top-panel thickness at least 22,0 mm  
Door thickness 25,0 mm



### Bottom guide

Groove width 7,5 mm  
Groove depth 8,5 mm



### Runners

Adapter is attached by means of

- chipboard screw (countersunk) 3,5 x 16 or
- direct fixing screw (countersunk) single-start 6,3 x 16