

Bottom running sliding door systems

► SlideLine 55



If everything were as simple: The bottom running SlideLine 55 sliding door system leaves no margin of doubt with its ease of installation and straightforward handling in everyday use. The System is particularly versatile. Light doors weighing up to 15 kg run in plastic profiles. Aluminium profiles are used for heavier doors – up to 30 kg. By way of option, the system can be fitted with the adaptive Silent System.

Bottom running sliding door system

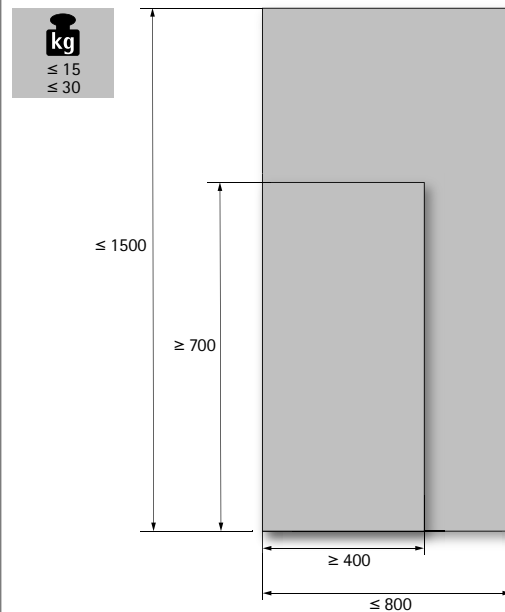


- ▶ SlideLine 55 / loading capacity 15 kg or 30 kg / with optional Silent System
- ▶ Technical details in brief / operating principle

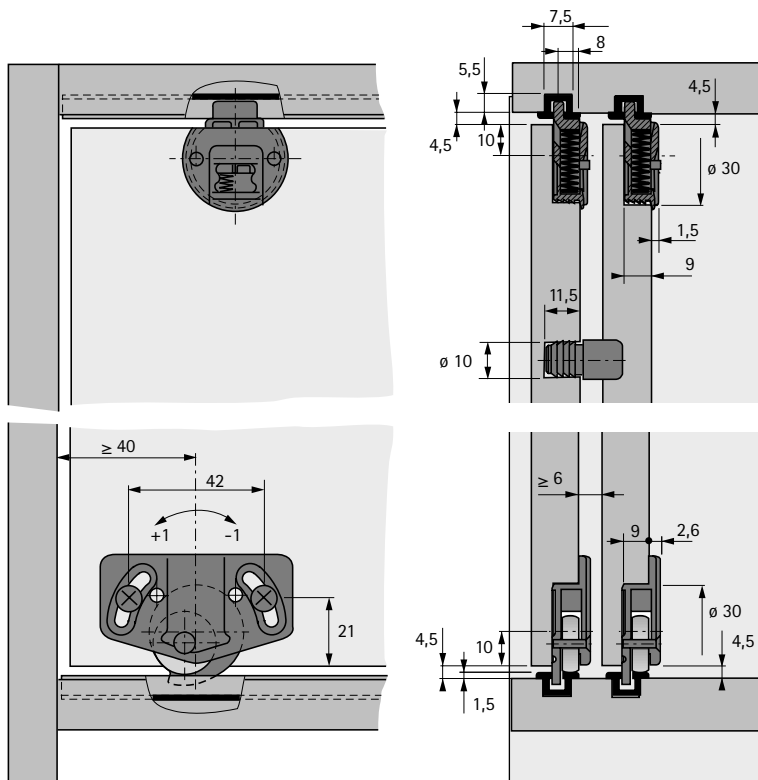
Technical details in brief

- ▶ 2-track, bottom running sliding door system
- ▶ Inset door position
- ▶ For wooden doors
- ▶ Door weight up to 15 kg with plastic profiles
- ▶ Door weight up to 30 kg with aluminium profiles
- ▶ Door height 700 - 1500 mm
- ▶ Door width 400 - 800 mm
- ▶ Door thickness 16, 19 mm
- ▶ +/- 1 mm height adjustment
- ▶ Tested to EN 15706, Level 3

Min. and max. door sizes



Operating principle



Bottom running sliding door system

- ▶ SlideLine 55 / loading capacity 15 kg or 30 kg / with optional Silent System
- ▶ System components

Runner and guide profiles



- ▶ Plastic profiles: max. door weight 15 kg
- ▶ Aluminium profiles: max. door weight 30 kg
- ▶ Standard length 4000 mm
- ▶ Customized lengths available on request

Material	Surface colour	Order no.	PU
Plastic	white	0 025 120	30 ea.
Plastic	brown	0 025 121	30 ea.
Plastic	beige	0 025 660	30 ea.
Plastic	grey	0 061 546	30 ea.
Plastic	black	0 066 900	30 ea.
Aluminium	silver anodised	1 079 090	4 ea.
Aluminium	dark brown anodised	0 070 961	4 ea.

- ▶ SlideLine 55 / loading capacity 15 kg or 30 kg / with optional Silent System
- ▶ System components

Guide components with spring-loaded bolt



- ▶ 2 guide components must be fitted per door
- ▶ Plastic
- ▶ Runner profiles, see page 445

Article	Colour	Order no.	PU
Guide component	brown	0 025 123	100 ea.
Guide component with angled bolt	black	0 043 662	100 ea.

Screw on running component



- ▶ Height-adjustable
- ▶ With axle on dual bearings
- ▶ 2 running components must be fitted per door
- ▶ Plastic, brown
- ▶ Runner profiles, see page 445

Door weight in kg	Order no.	PU
15 / with plastic profile	0 025 122	100 ea.
30 / with aluminium	0 070 962	100 ea.

Press in running component



- ▶ For max. door weight 15 kg
- ▶ Only in combination with the plastic profile
- ▶ 2 running components must be fitted per door
- ▶ Plastic, brown
- ▶ Runner profiles, see page 445

Door weight in kg	Order no.	PU
15	0 046 641	100 ea.

Press in door stop / spacer



- ▶ For max. door weight 15 kg
- ▶ Only in combination with the plastic profile
- ▶ 1 door stop / spacer required for 2-door unit
- ▶ Plastic, brown

Order no.	PU
0 047 392	100 ea.