

Cabinet suspension brackets

- ▶ SAH 215
- ▶ For installation on the back of the rear panel

Cabinet suspension bracket SAH 215



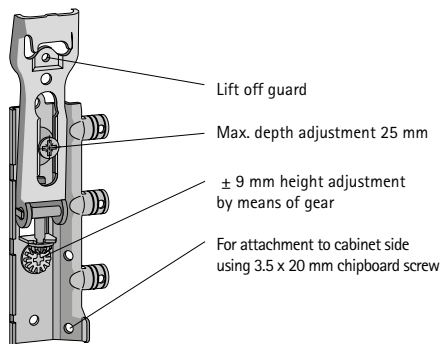
- ▶ For use on the back of the rear panel
- ▶ For rail and hook suspension
- ▶ Load capacity 45 kg / each (to EN 15939/2012)
- ▶ Attached to side panel with 3 side dowels and screwed down in the rear panel groove
- ▶ Suitable for use with rear panel recess of 16 mm and over
- ▶ Fast, easy height adjustment by means of sturdy adjustment screw and gear: ± 8 mm
- ▶ Depth adjustment: 25 mm max.
- ▶ Side adjustment: ± 3 mm for hook suspension
- ▶ Adjustment screws are protected from becoming unscrewed accidentally
- ▶ Lift off height: 7.5 mm
- ▶ Hook suspension: the shape of the hook prevents the cabinet from slipping off
- ▶ Suitable for use with B type suspension rail
- ▶ Steel, galvanised - fully recyclable
- ▶ MUST ALWAYS be screwed into the carcass side.
- ▶ Optional "lift off guard" function by means of special screw

Page reference:

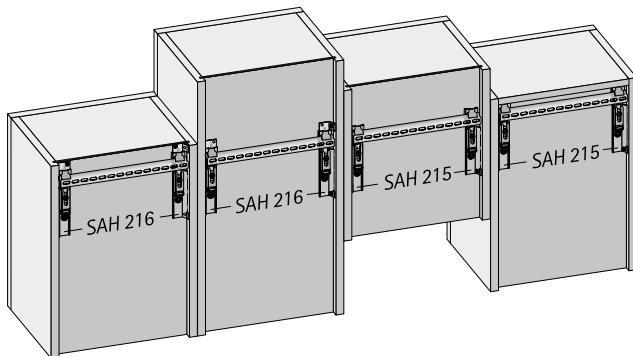
- ▶ For SAH 215 cover caps, see page 870

Order no.	PU
0 079 716	1/25 pair

SAH 215



Fitting options



Please note:

Unless attached to top panel, the SAH 215/216 must be mounted within the top third of the carcass. Adjust height before depth.