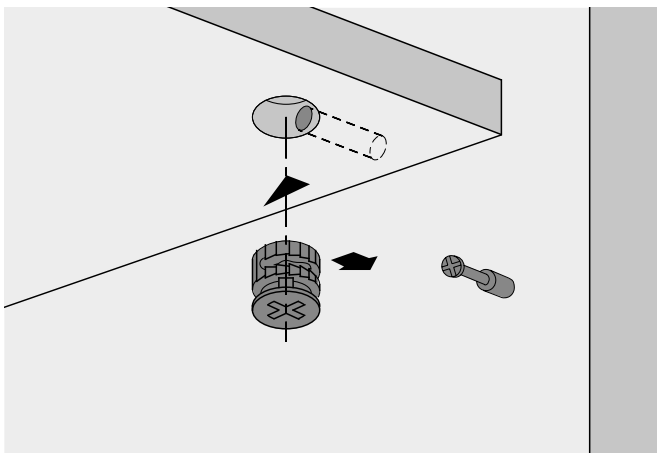


## ► Rastex 15



- With torque support – allows furniture side panels to be pulled into place from space up to 4 mm from the panel end
- Twice as secure thanks to interior and exterior indentations – the dowel is always pulled in to the centred position, ruling out any displacement of furniture components!
- Eccentric cam can be tightened with flat-blade screwdriver, Pozidrive screwdriver PZ 3 or Allen key AF 4
- With or without rim, the rim covers any jagged drillings, making an additional cover cap unnecessary
- zinc die-cast

Page reference:

- For drill bits for hand and pillar drills, see page 1219

### Rastex 15 with rim



Finish	Order no. / panel thickness mm					PU
	15	16	19	22	29	
nickel plated	0 079 451	0 071 948	0 071 950	0 071 952	0 079 478	1/200 ea.
nickel plated	0 079 452	0 073 459	0 073 460	0 073 461	0 079 479	2000 ea.

### Rastex 15 without rim



Finish	Order no. / panel thickness mm							PU
	12	15	16	18	19	22	29	
bright	0 020 053	0 079 461	0 079 466	0 013 961	0 079 471	0 079 476	0 079 488	1/200 ea.
bright	9 116 019	0 079 462	0 079 467	0 013 962	0 079 472	0 079 477	0 079 489	2000 ea.
nickel plated	0 020 049	0 079 457	0 025 062	0 013 957	0 025 064	0 025 066	0 079 484	1/200 ea.
nickel plated	0 020 050	0 079 458	0 073 456	0 013 958	0 073 457	0 073 458	0 079 485	2000 ea.