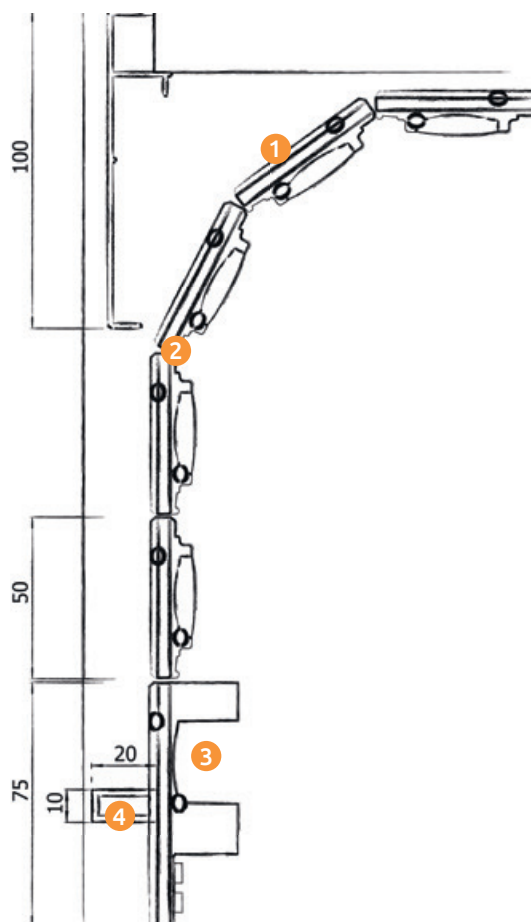
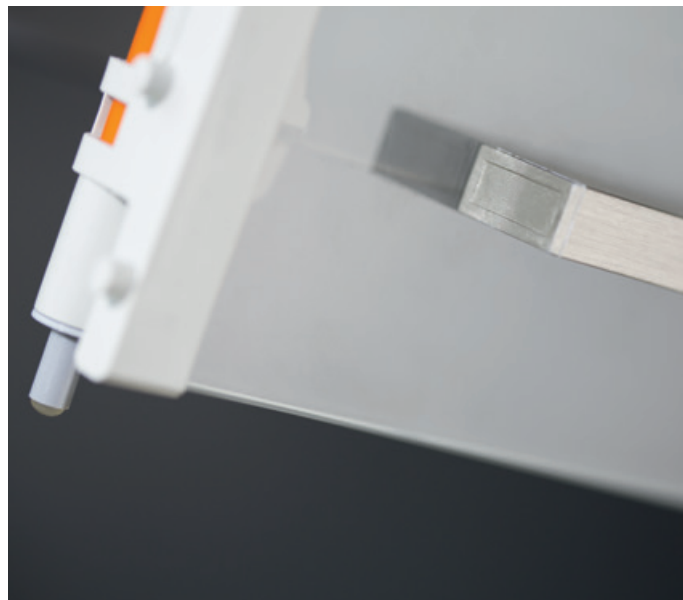


quasar reflex

Real glass 4 mm (toughened safety glass)

- › Absolutely safe: real glass, tempered (toughened safety glass).
- › Authentic material look: 4 mm glass thickness.
- › Always at distance: patented spacing protection of the slats.
- › Comfortable at all times: soft-stop within the handle profile.
- › Well-prepared: single slats can be replaced afterwards.



Finish

Roller shutter:

- › Float glass, satined (frosted)
- › White glass, satined (frosted)
- › Float glass, black lacquered
- › White glass, white lacquered

Guiding and cover profiles:

- › Anodised aluminium (E6/C0)
- › Aluminium with stainless steel effect (E2/ES)

- 1 Real glass slat, construction size 50 mm
- 2 Patented linking and spacing technology ensure an identical gap alignment
- 3 Bottom slat with integrated soft-stop
- 4 Pre-mounted handle profile made of real aluminium

Suitable for the following guiding modes:

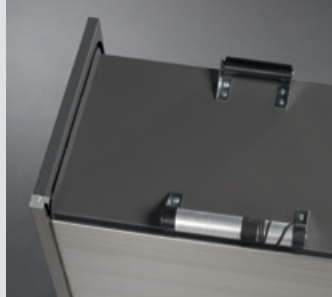


Weight compensator fittings by KNOKE: developed for your roller shutter.

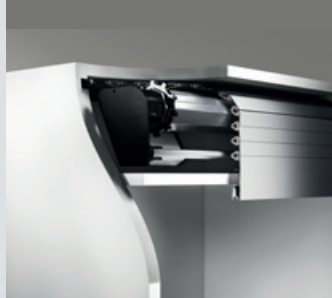
A variety of finishes and decors combined with almost universal possible applications turn the roller shutter into a real all-rounder. For an optimum of comfort KNOKE has developed weight compensator fittings which are easy to handle and robust during installation and operation. Due to smart adjustments they can furthermore perfectly be adapted to the respective purpose.



› smart case



› dyna case



› smart motion