

Retractable door system

► KA 5740



Doors that can slide back into the sides of the carcass when they are opened? An ingenious idea you can perfectly translate into practice with the KA 5740 retractable door fitting. For TV and multimedia furniture, say, or a cocktail cabinet that opens up in a jiffy and disappears again just as quickly. The fitting's mechanism also vanishes from view: simply by using face frame hinges.

Hettich retractable door fitting KA 5740 is suitable for door widths of 300 to 700 mm. All options with roll-out guard.



Hettich's KA 5740 fitting gives you the superior option for creating retractable doors. After opening, the doors simply disappear inside the carcass while running exceptionally smoothly.

Retractable door system

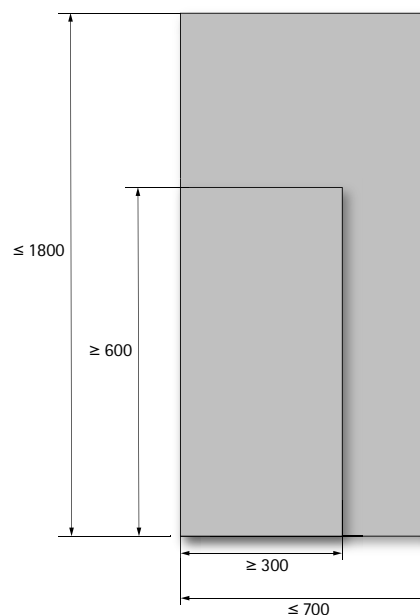


- ▶ KA 5740 / loading capacity 14 kg
- ▶ Technical details in brief / operating principle

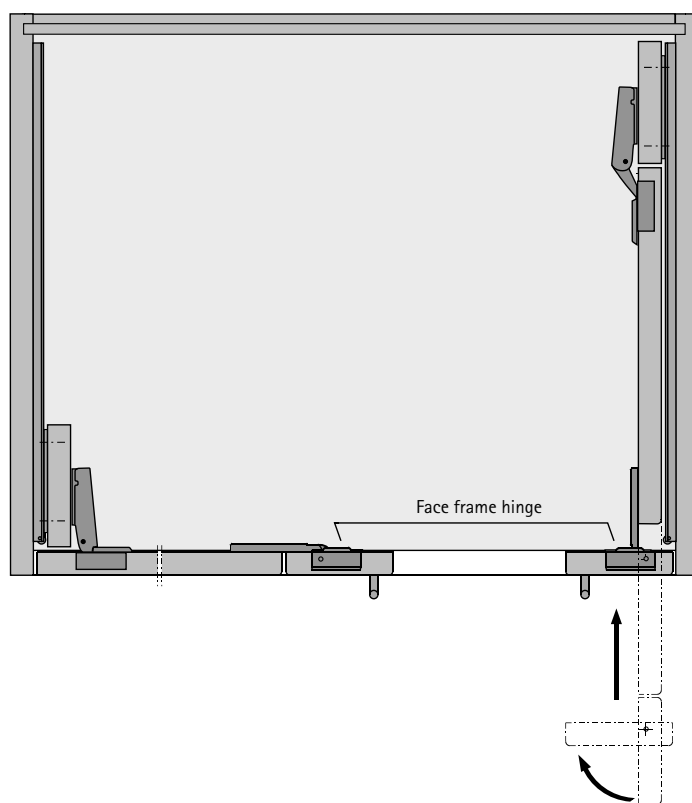
Technical details in brief

- ▶ Door weight up to 14 kg
- ▶ For wooden doors
- ▶ Door height up to 1800 mm
- ▶ Door width 300 - 700 mm
- ▶ Door thickness max. 22.5 or 32.0 mm
- ▶ With roll-out prevention
- ▶ Tested to ANSI/BIFMA X5.5

Min. and max. door sizes



Operating principle



Retractable door system

- ▶ KA 5740 / loading capacity 14 kg
- ▶ System components

KA 5740



- ▶ Pair of KA 5740 for retractable doors
- ▶ Concealed hinges must be ordered separately, see page 26 - 27
- ▶ Face frame hinge must be ordered separately, see 224

Max. door width mm	Order no.	PU
300	0 041 371	1 pair
350	0 041 372	1 pair
400	0 041 373	1 pair
450	0 041 374	1 pair
500	0 041 375	1 pair
550	0 041 376	1 pair
600	0 041 377	1 pair
650	0 041 378	1 pair
700	0 041 379	1 pair

Accessory set for KA 5740



- ▶ The KA 5740 set of accessories also allows you to park flaps inside the top part of the carcass after opening them.
- ▶ The set of accessories assists the parking action and, when used on flaps, keeps them in the horizontal position.

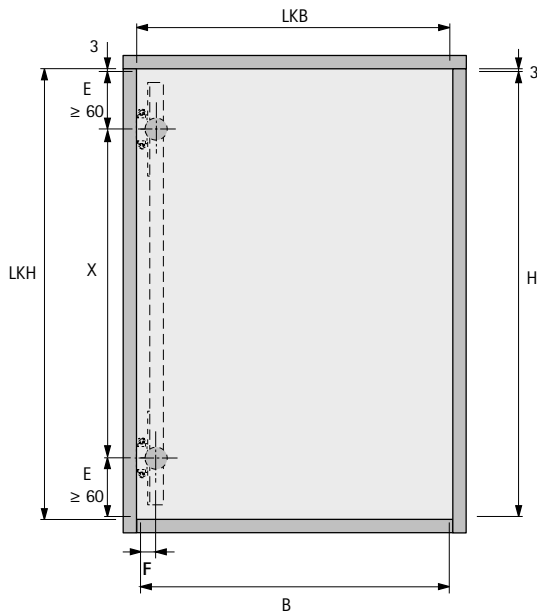
Set comprises:

- ▶ 8 press in door stops / spacers, 10 mm \varnothing hole, brown plastic
- ▶ 4 support rollers for flaps \varnothing 20 mm
- ▶ 4 rivets \varnothing 6 x 10 mm
- ▶ 4 panhead screws \varnothing 4 x 25 mm

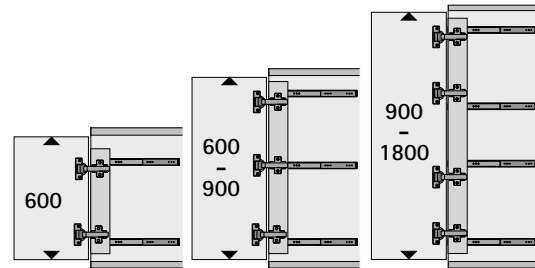
Order no.	PU
9 079 526	1 set

Retractable door system

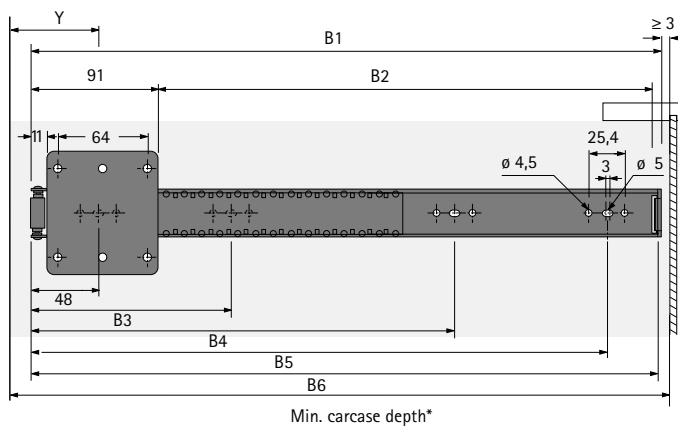
- ▶ KA 5740 / loading capacity 14 kg
- ▶ Technical information



Door height = internal carcase height - 6 mm
 Door width = internal carcase width - 6 mm
 $X = \text{door height} - 2 \times E$



Recommended quantity of KA 5740 retractable door fittings depends on door height.

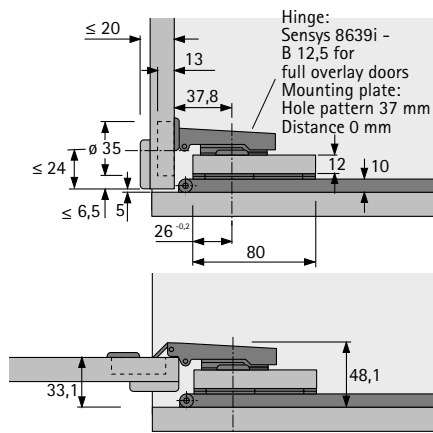


Article	Dimension mm					
	b1	b2	b3	b4	b5	b6
KA 5740/300	302	206	272	-	-	300
KA 5740/350	352	256	304	-	-	350
KA 5740/400	402	306	368	-	-	400
KA 5740/450	452	356	144	304	400	450
KA 5740/500	502	406	176	336	464	500
KA 5740/550	552	456	208	368	528	550
KA 5740/600	602	506	240	400	560	600
KA 5740/650	652	556	272	432	624	650
KA 5740/700	702	606	304	464	656	700

Retractable door system

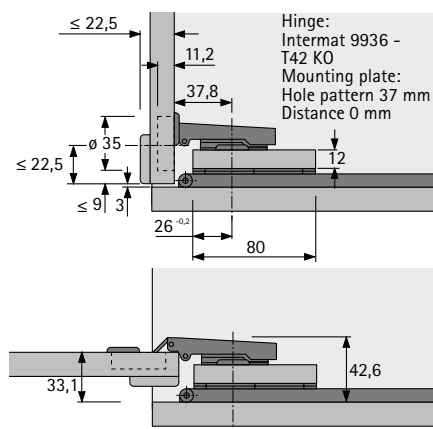
- ▶ KA 5740 / loading capacity 14 kg
- ▶ Technical information

Use with Sensys and 12 mm connecting strip



- ▶ For fast assembly hinge Sensys 8639i, see page 36 - 37
- ▶ For profile doors up to 28 mm
- ▶ Opening angle 95°
- ▶ 0 mm cranking
- ▶ Screw on version
- ▶ Cup diameter 35 mm
- ▶ Steel cover cap for 0 mm cranking

Use with Intermat and 12 mm connecting strip

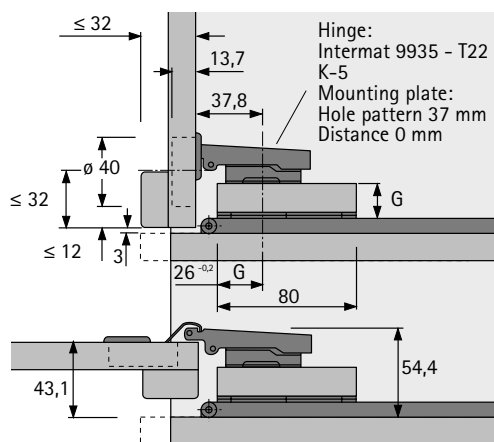


- ▶ Fast assembly hinge Intermat 9936, see page 88 - 89
- ▶ For profile doors up to 22.5 mm
- ▶ Opening angle 95°
- ▶ 0 mm cranking
- ▶ Screw on version
- ▶ Cup diameter 35 mm
- ▶ Steel cover cap for 0 mm cranking

Retractable door system

- ▶ KA 5740 / loading capacity 14 kg
- ▶ Technical information / installation

Use with Intermat and 16 - 21 mm connecting strip



Distance	G mm
5	16
3	18
1,5	19,5
0	21

- ▶ Fast assembly hinge Intermat 9935 - T22
- ▶ For profile doors up to 32 mm
- ▶ Opening angle 95°
- ▶ 5 mm cranking
- ▶ Screw on version
- ▶ Cup diameter 40 mm
- ▶ Steel cover cap for 5 mm cranking

Preparing / Installing fitting

