



HSB lift-up fitting



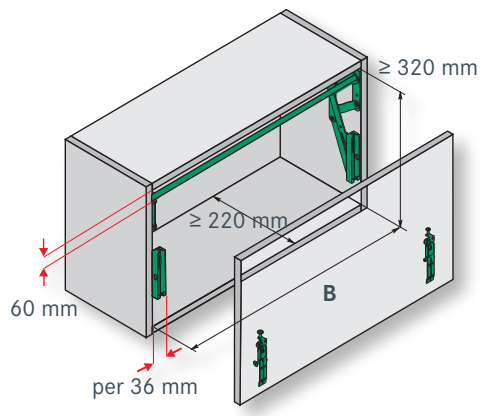
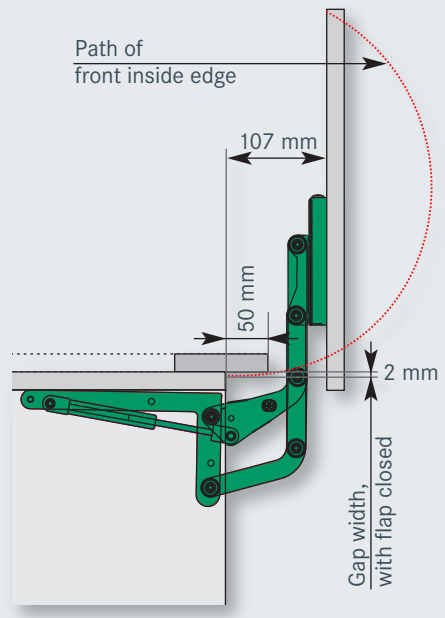
Art. no. Dimensions (mm)

- 00 1348 up to 90 cm wide
- 00 1349 up to 120 cm wide
- 00 1352 up to 150 cm wide

Door lift fitting I
adaptable width
 adapt to individual cabinet width by cutting the aluminium connecting rod to length, includes compression springs – selected to match front weight (see table), concealed front attachment, lift height: 370 mm

Door lift fitting I – adaptable width

Art. no.	Inside cabinet width = B	Number of springs	à	Max. front weight
00 1348	max. 870 mm	2	250 N	5.0 kg
00 1349	max. 1170 mm	2	320 N	7.0 kg
00 1352	max. 1470 mm	2	380 N	8.5 kg



- 00 1345 for cabinets 45-60 cm wide
- 00 1346 for cabinets 60-90 cm wide
- 00 1347 for cabinets 90-120 cm wide

Door lift fitting II
adaptable width
 concealed front attachment incl. compression springs – selected to suit different front weights (see table), lift height: 370 mm

Door lift fitting II – adaptable width

Art. no.	Inside cabinet width = B	Number of springs	à	Max. front weight
00 1345	411-570 mm	2	200 N	4.0 kg
00 1346	561-870 mm	2	250 N	5.0 kg
00 1347	861-1170 mm	2	320 N	7.0 kg

