

FREE LIFT



FREEflap mini / FREEflap forte



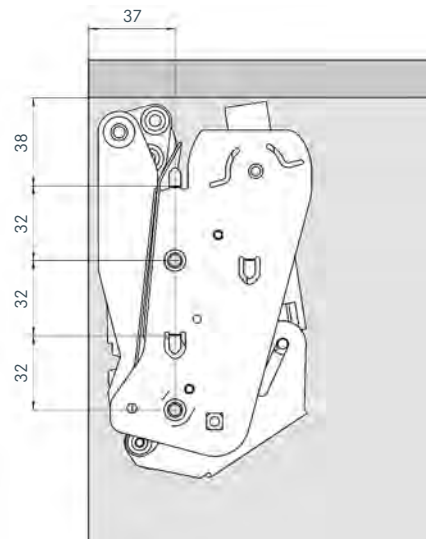
FREEflap mini / FREEflap forte



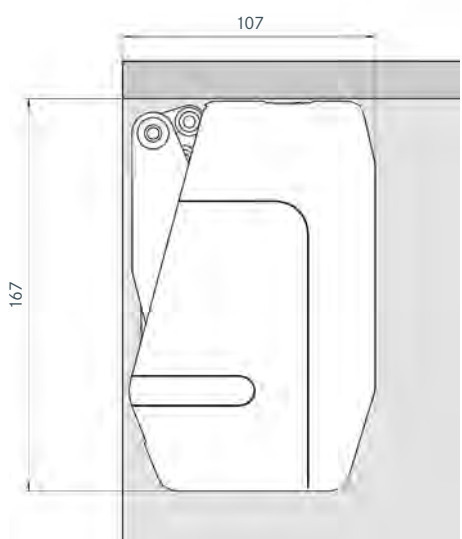
interzum award:
intelligent
material & design
2013



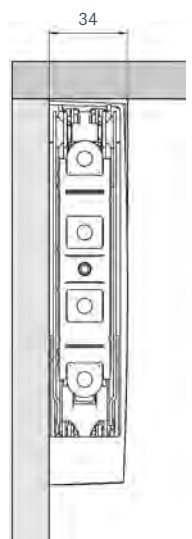
FREEflap mini



View from right (left fitting)

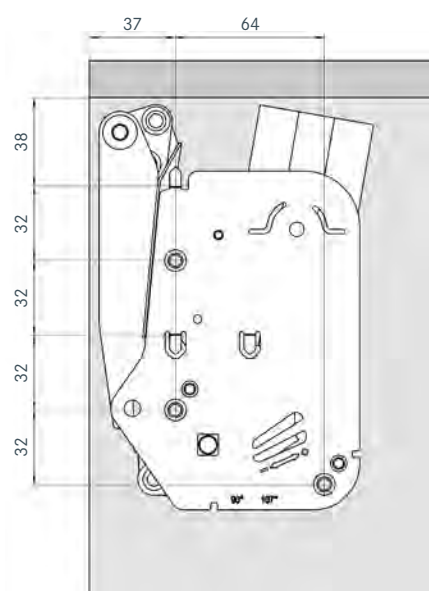


Left fitting with dress cap

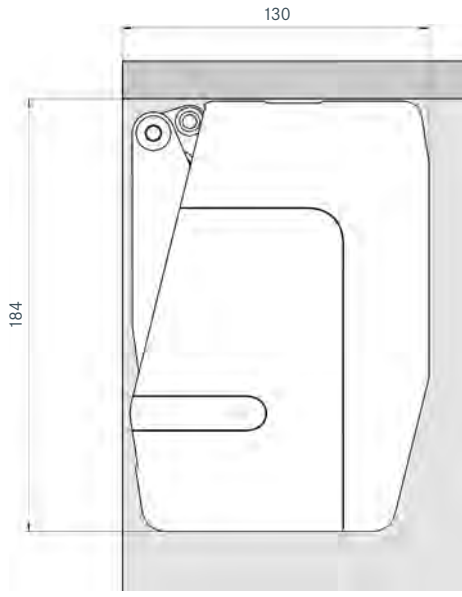


View from front

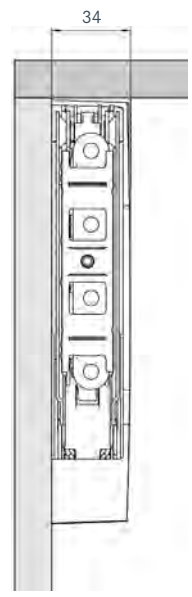
FREEflap forte



View from right (left fitting)

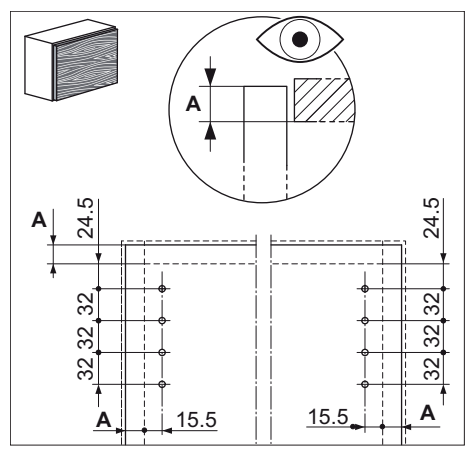


Left fitting with dress cap

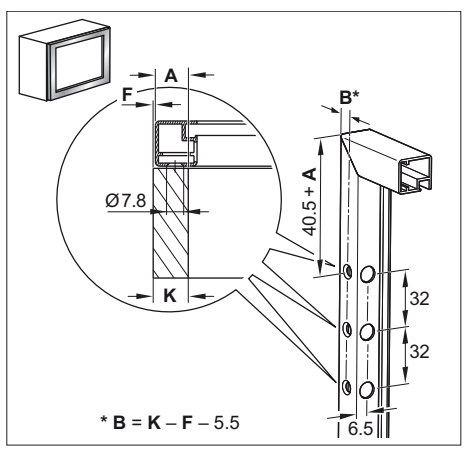


View from front

Connecting the front flap – FREEflap mini and FREEflap forte



Connecting wooden fronts and wide aluminium frame fronts



Connecting 20 mm aluminium frames

FREEflap mini

	FREEflap mini - A	FREEflap mini - B	FREEflap mini - C
Art. no.	27 1661	27 1662	27 1663
Cabinet height mm	Front weight* kg	Front weight* kg	Front weight* kg
≥200	1.7-4.6	3.7-7.9	6.8-14.7
≥225	1.5-4.1	3.1-7.1	6.0-13.1
≥250	1.3-3.8	2.9-6.4	5.4-11.8
≥275	1.2-3.3	2.5-5.7	4.8-10.6
≥300	1.1-3.1	2.4-5.1	4.4-9.6
≥325	1.0-2.8	2.1-4.6	4.0-8.8
≥350	0.9-2.6	2.0-4.2	3.7-8.1
≥375	0.9-2.3	1.9-3.8	3.5-7.5
≥400	0.8-2.1	1.7-3.6	3.2-7.0
≥425	0.7-1.9	1.5-3.4	2.9-6.5
≥450	0.6-1.7	1.4-3.2	2.7-6.1

*Front weight incl. weight of handle


One set consists of:

- 2 FREEflap mini fittings (right and left)
- 2 dress caps for the fittings (right and left)
- 2 front flap connector plates

Total opening angle: 107°

Colours:

- 7035 (grey)
- 9966 (white)

FREEflap forte

	FREEflap forte - D	FREEflap forte - E	FREEflap forte - F	FREEflap forte - G
Art. no.	27 1664	27 1665	27 1666	27 1667
Cabinet height mm	Front weight* kg	Front weight* kg	Front weight* kg	Front weight* kg
≥350	5.2 - 11.0	6.7 - 14.3	10.1 - 21.4	13.5 - 27.3
≤375	4.9 - 10.2	6.3 - 13.1	9.4 - 19.8	12.5 - 25.2
≤400	4.7 - 9.6	5.9 - 12.4	8.9 - 18.6	11.8 - 23.3
≤425	4.4 - 9.0	5.6 - 11.6	8.3 - 17.4	11.0 - 21.8
≤450	4.1 - 8.4	5.2 - 10.9	7.8 - 16.3	10.4 - 20.5
≤475	3.9 - 8.0	4.9 - 10.3	7.4 - 15.4	9.8 - 19.3
≤500	3.7 - 7.5	4.7 - 9.7	7.0 - 14.6	9.2 - 18.3
≤525	3.5 - 7.1	4.4 - 9.2	6.6 - 13.9	8.8 - 17.3
≤550	3.3 - 6.8	4.2 - 8.8	6.3 - 13.2	8.3 - 16.5
≤575	3.2 - 6.5	4.0 - 8.4	6.0 - 12.5	8.0 - 15.6
≤600	3.0 - 6.2	3.8 - 8.0	5.7 - 12.0	7.6 - 15.0
≤625	2.8 - 5.9	3.6 - 7.6	5.4 - 11.5	7.2 - 14.4
≤650	2.6 - 5.6	3.4 - 7.3	5.3 - 11.0	6.9 - 14.0

*Front weight incl. weight of handle


One set consists of:

- 2 FREEflap forte fittings (right and left)
- 2 dress caps for the fittings (right and left)
- 2 front flap connector plates

Total opening angle: 107°

90° opening angle limiter, integrated in the fitting

Colours:

- 7035 (grey)
- 9966 (white)

Adapter

for 20 mm aluminium frame
nickel-plated

Art. no.
27 1687



Opening angle limiter 90°
for FREEflap mini

Art. no.
27 1688



