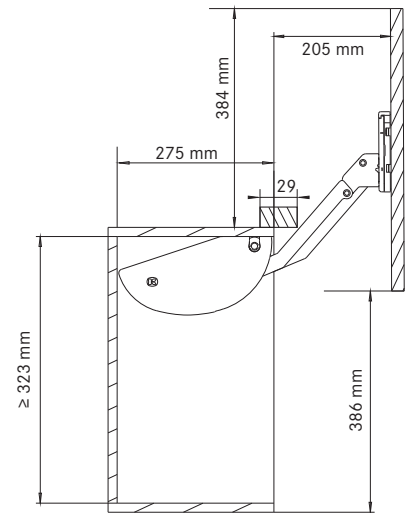




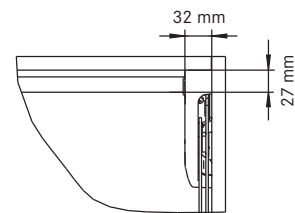
**EWIVA**



Front position



Space for fitting



## Impressive engineering design.

The EWIVA lift-up fitting is ideal for flaps that drop down to conceal a microwave or a steamer, installed at eye level in a full-height or wall-mounted unit. When the appliance is in use, the front flap is lifted up vertically – softly and silently. Fitted with SoftStopp Plus damping, front panel movement is gently braked in the final stages of opening and closing. The front panel is attached with snap-on connectors.





1 | The fitting is installed ...



2 | ... the front panel is held in position ...

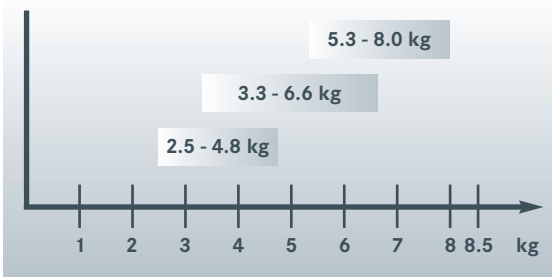


3 | and the connector snapped shut.

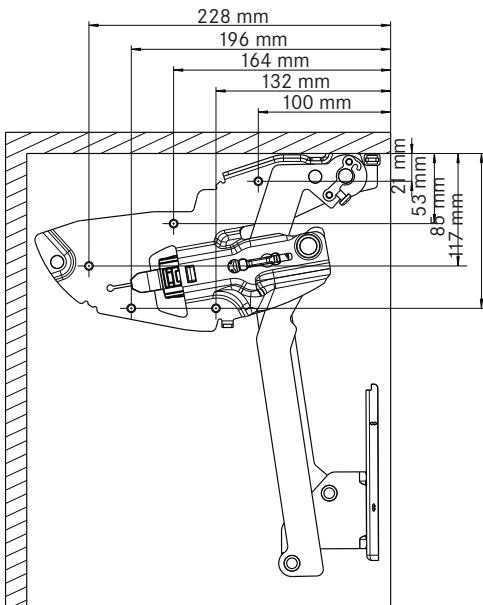
It's so  
**easy!**

With ClickFixx the front panel is simply clipped onto the fitting without tools.

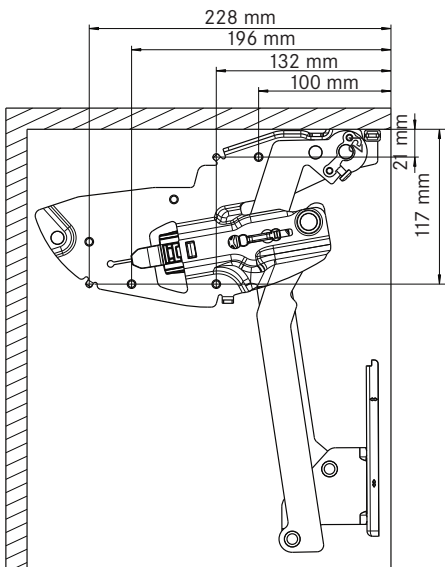




Hole positions (fitting without guide pin)



Hole positions (fitting with guide pin)



Art. no. Dimensions (mm)

EWIVA fitting

As standard with



EWIVA 60-cm complete set

without guide pin;  
includes power pack and synchronising rod  
Note: front weight including handle

|                                  |                    |
|----------------------------------|--------------------|
| Max. front weight (incl. handle) | PU                 |
| 001559                           | 2.5 - 4.8 kg 1 set |
| 001560                           | 3.3 - 6.6 kg 1 set |
| 001561                           | 5.3 - 8.0 kg 1 set |

Ewiva packaged as set

without guide pin;  
Power pack must be ordered separately

|        |             |                                      |        |
|--------|-------------|--------------------------------------|--------|
| 001556 | Fixed width | 1) <b>Fitting</b>                    | PU     |
|        | 600         | Fixed width                          | 1 set  |
|        | Width       |                                      |        |
| 001557 | 900         | can be cut to length                 | 1 set  |
| 001558 | 1200        | can be cut to length                 | 1 set  |
| 001565 | 1500        | can be cut to length                 | 1 set  |
|        |             | 2) <b>Power pack</b>                 |        |
|        |             | for max. front weight (incl. handle) |        |
| 001562 |             | 2.5 - 4.8 kg                         | 1 unit |
| 001563 |             | 3.3 - 6.6 kg                         | 1 unit |
| 001564 |             | 5.3 - 8.0 kg                         | 1 unit |

EWIVA front brackets for aluminium frame fronts

(packed in polybag)  
PU  
16 brackets

001545

EWIVA fitting with guide pin

Note: front weight including handle

|        |             |                                       |          |
|--------|-------------|---------------------------------------|----------|
| 001540 |             |                                       | PU       |
|        | 001552      | 1) <b>Side elements</b>               | 16 units |
|        |             | 2) <b>Covers</b>                      | 16 units |
|        |             | 3) <b>Power packs</b>                 |          |
|        |             | for max. front weight (incl. handle): |          |
| 001541 |             | 2.5 - 4.8 kg                          | 16 units |
| 001542 |             | 3.3 - 6.6 kg                          | 16 units |
| 001543 |             | 5.3 - 8.0 kg                          | 16 units |
|        |             | 4) <b>Front brackets</b>              |          |
| 001544 |             | for wooden fronts                     | 16 units |
| 001545 |             | for aluminium frames                  | 16 units |
|        |             | 5) <b>Synchronising rod</b>           |          |
| 001549 | Fixed width |                                       | 16 units |
| 001550 | 600         |                                       | 16 units |
| 001551 | 900         |                                       | 16 units |
|        | 1200        |                                       | 16 units |